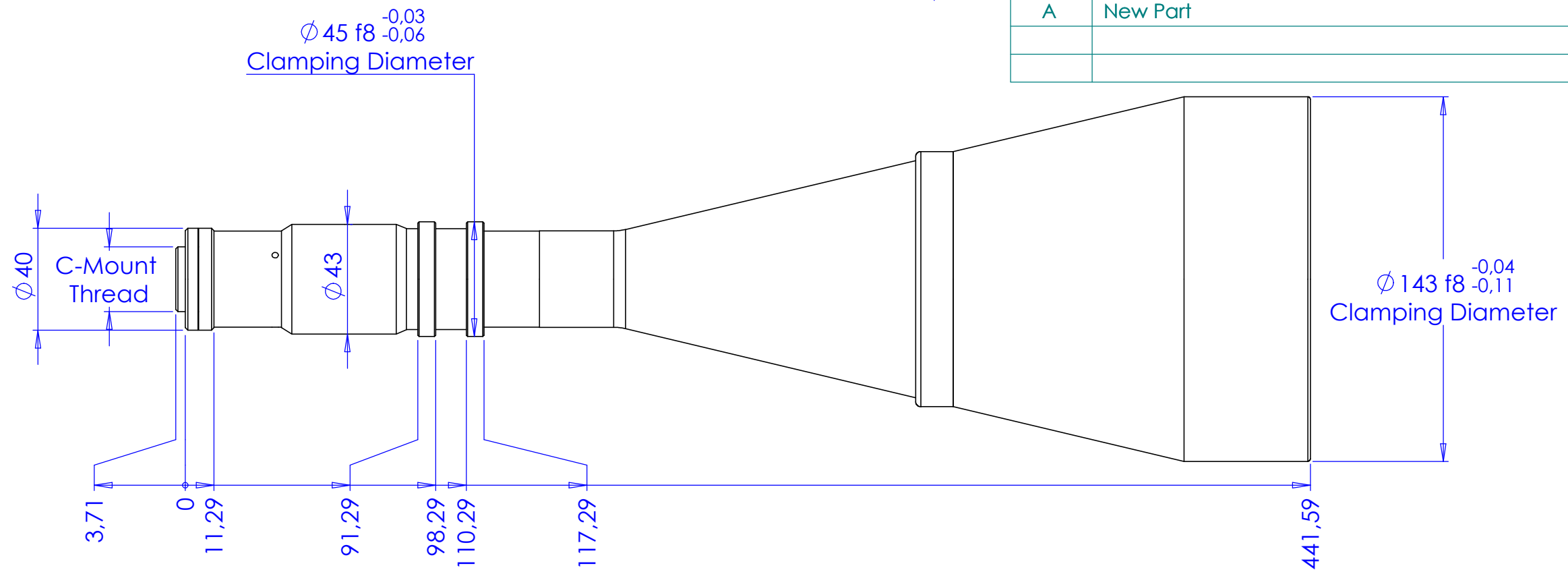
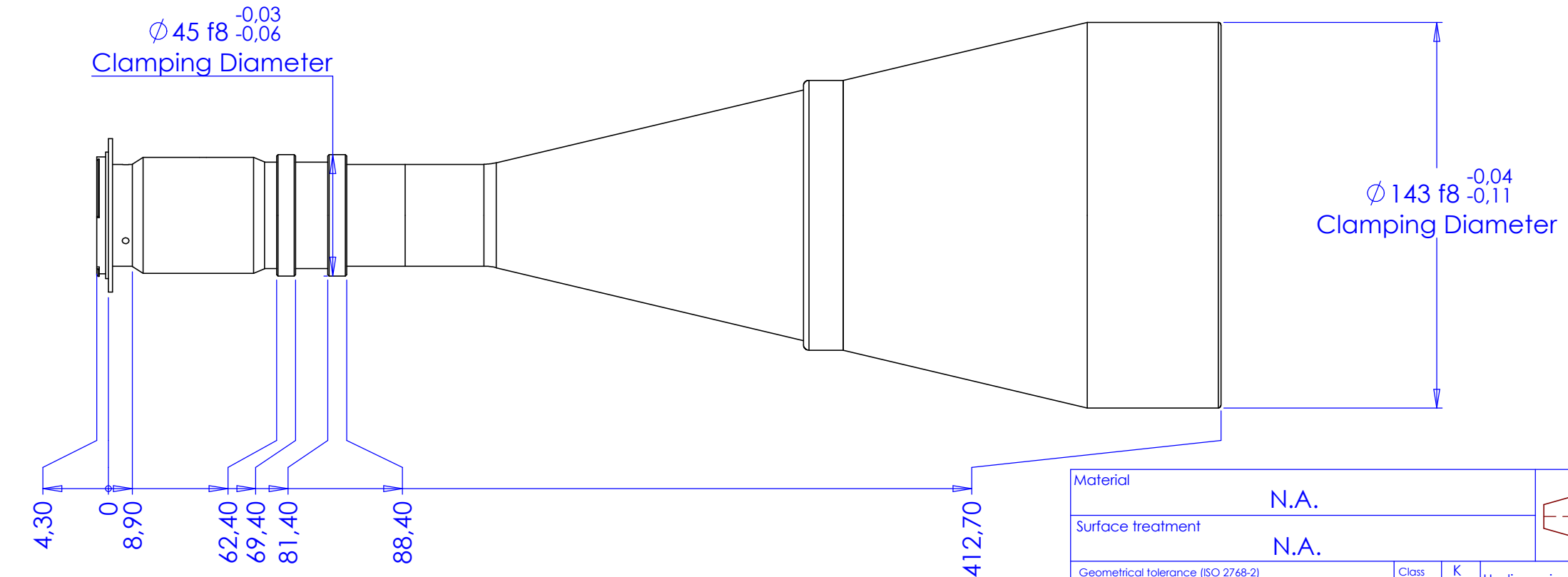


Rev No.	Description	Date	Name
A	New Part	05/05/2003	A.Vismara



TC 4M 96/C
C-Mount



TC 4M 96/F
F-Mount

Material	N.A.		Mass	2078 g	Scale	1:2																																																																													
Surface treatment	N.A.		Project-Prod.item/Instrument TC 4M 96																																																																																
Geometrical tolerance (ISO 2768-2)			Description Layout																																																																																
<table border="1"> <thead> <tr> <th>Linear tolerance (ISO 2768-2)</th> <th>Class</th> <th>K</th> <th>Undimensioned bevels</th> <th>Undimensioned radii</th> </tr> </thead> <tbody> <tr> <td>0.5</td> <td>>3±</td> <td>>6±</td> <td>0.5x45°</td> <td>R 0.5</td> </tr> <tr> <td>±3</td> <td>6</td> <td>30</td> <td></td> <td></td> </tr> <tr> <td></td> <td></td> <td>120</td> <td></td> <td></td> </tr> <tr> <td></td> <td></td> <td>±400</td> <td></td> <td></td> </tr> <tr> <td></td> <td></td> <td>>1000</td> <td></td> <td></td> </tr> <tr> <td></td> <td></td> <td>>2000</td> <td></td> <td></td> </tr> <tr> <td>±0.1</td> <td>±0.1</td> <td>±0.2</td> <td></td> <td></td> </tr> <tr> <td></td> <td></td> <td>±0.3</td> <td></td> <td></td> </tr> <tr> <td></td> <td></td> <td>±0.5</td> <td></td> <td></td> </tr> <tr> <td></td> <td></td> <td>±0.8</td> <td></td> <td></td> </tr> <tr> <td></td> <td></td> <td>±1.2</td> <td></td> <td></td> </tr> <tr> <td></td> <td></td> <td>±2</td> <td></td> <td></td> </tr> </tbody> </table>			Linear tolerance (ISO 2768-2)	Class	K	Undimensioned bevels	Undimensioned radii	0.5	>3±	>6±	0.5x45°	R 0.5	±3	6	30					120					±400					>1000					>2000			±0.1	±0.1	±0.2					±0.3					±0.5					±0.8					±1.2					±2			<table border="1"> <thead> <tr> <th>Date</th> <th>Name</th> <th>Drawing No.</th> <th>Sheet</th> </tr> </thead> <tbody> <tr> <td>Designed 17/07/2006</td> <td>A.Vismara</td> <td rowspan="3">21570-0-A</td> <td rowspan="3">1/1</td> </tr> <tr> <td>Draw 17/07/2006</td> <td>A.Vismara</td> </tr> <tr> <td>Checked X</td> <td>C. Sedazzari</td> </tr> </tbody> </table>				Date	Name	Drawing No.	Sheet	Designed 17/07/2006	A.Vismara	21570-0-A	1/1	Draw 17/07/2006	A.Vismara	Checked X	C. Sedazzari
Linear tolerance (ISO 2768-2)	Class	K	Undimensioned bevels	Undimensioned radii																																																																															
0.5	>3±	>6±	0.5x45°	R 0.5																																																																															
±3	6	30																																																																																	
		120																																																																																	
		±400																																																																																	
		>1000																																																																																	
		>2000																																																																																	
±0.1	±0.1	±0.2																																																																																	
		±0.3																																																																																	
		±0.5																																																																																	
		±0.8																																																																																	
		±1.2																																																																																	
		±2																																																																																	
Date	Name	Drawing No.	Sheet																																																																																
Designed 17/07/2006	A.Vismara	21570-0-A	1/1																																																																																
Draw 17/07/2006	A.Vismara																																																																																		
Checked X	C. Sedazzari																																																																																		
OPTO ENGINEERING THE TELECENTRIC COMPANY OPTO ENGINEERING S.r.l. - 46100 Mantova Italy - Via Cremona, 29/2 - Tel. +39 0376 263525 - e-mai: info@opto-engineering.com - http://www.opto-engineering.com																																																																																			

D
C
B
A

D
C
B
A

1 2 3 0 1 2 3 4 5 6 7 8 9 10 6 7 8

0 1 2 3 4 5 6 7 8 9 10